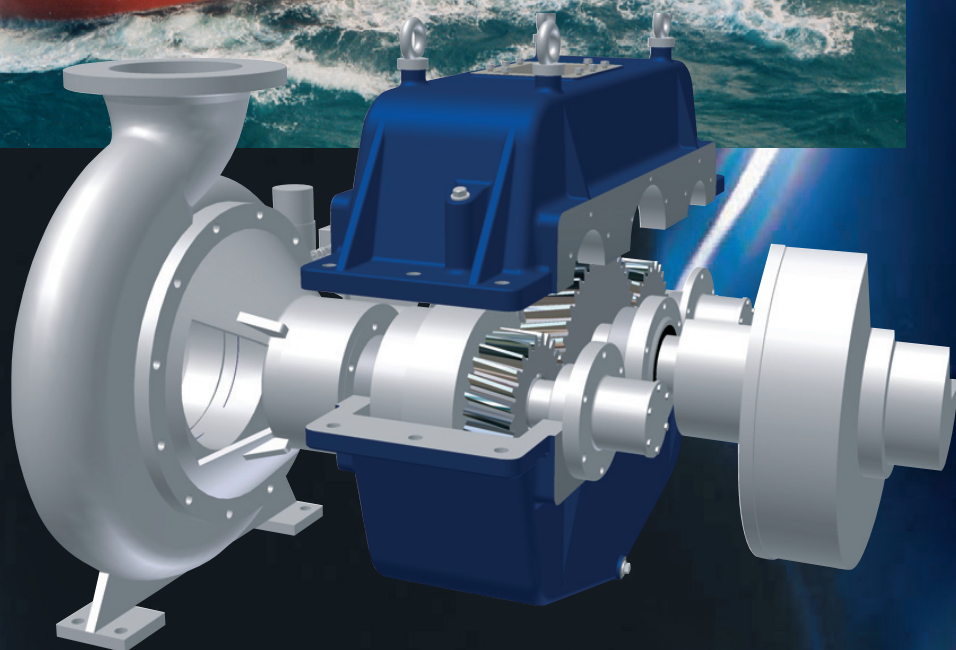




New design – gearbox which integrates both fire & deckmachinery pumps



Norgear 4FGCC-335

- Substantial reduction in the length of the front end assembly
- Individual clutch control of both pumps
- Lower first costs
- Reduced alignment requirements
- Saved installation time

Kumera AS

P.O. box 2043, N-3202 Sandefjord, NORWAY
Tel. +47 3348 5454 • Telefax +47 3348 5455 • E-mail: sales@kumera.no

www.kumera.no